

KWOCO AUTOMATION CO., LTD

New & Original Industrial Automation Products

www.kwoco-plc.com

OMRON PRODUCT NEWS

Discontinuation Notice

CJ1M CPU Units

Recommended Migration to CJ2M Series

OMRON



TRUSTED QUALITY
Original & Reliable



SEAMLESS MIGRATION
Future-Ready Solutions



PROVEN PERFORMANCE
Built for Industry

 B557, South Pearl Building, Sanlian Road,
Longhua District, Shenzhen Guangdong, P.R.China.

 Tel: +86-755-81481609 |  E-mail: sales@kwoco-plc.com |  Web: www.kwoco-plc.com



Discontinuation Notice- CJ1M CPU Units

This document is announcing the discontinuation of the CJ1M series of controllers, introduced in 2001. Newer CJ2M controller series are the targeted replacement units. Replacement of the CJ1M with the CJ2M is mostly form fit and function compatible. User PLC program can be uploaded into CXONE programming software and the device changed from the CJ1M to the replacement CJ2M that will allow most of the CJ1M program to be reused. Some reprogramming and rewiring will be necessary since some features of the CJ1M can only be duplicated in the CJ2M system with accessory modules or I/O.



Product Discontinuation		Recommended Replacement	
CJ1M CPU Units		CJ2M CPU Units	
✂	Model CJ1M-CPU11 Model CJ1M-CPU12 Model CJ1M-CPU13	➔	Model CJ2M-CPU11 Model CJ2M-CPU12 Model CJ2M-CPU13
	CJ1M CPU Units (with Built-in I/O)		CJ2M CPU Units + Pulse I/O Modules
✂	Model CJ1M-CPU21 Model CJ1M-CPU22 Model CJ1M-CPU23	➔	Model CJ2M-CPU11+CJ2M-MD211 Model CJ2M-CPU12+CJ2M-MD211 Model CJ2M-CPU13+CJ2M-MD211
	CJ1M CPU Units (with Ethernet function)		CJ2M (Built-in EtherNet/IP) CPU Units + R3232C Option Board
✂	Model CJ1M-CPU11-ETN Model CJ1M-CPU12-ETN Model CJ1M-CPU13-ETN	➔	Model CJ2M-CPU31+CP1W-CIF01 Model CJ2M-CPU32+CP1W-CIF01 Model CJ2M-CPU33+CP1W-CIF01

[Final order entry date]

The end of February 2021

[Date of The Last Shipping]

The end of June, 2021

[Scheduled date of maintenance close]

The end of March, 2028

[Caution on recommended replacement]

Replacement of PLC series requires design change works.(PLC Programming, unit setting, wiring and so on).

[Difference from discontinued product]

Recommended replacement Model	Body Color	Dimensions	Wire connection	Mounting Dimensions	Characteristics	Operation ratings	Operation methods
CJ2M series	*	*	*	*	*	*	*

** : Compatible

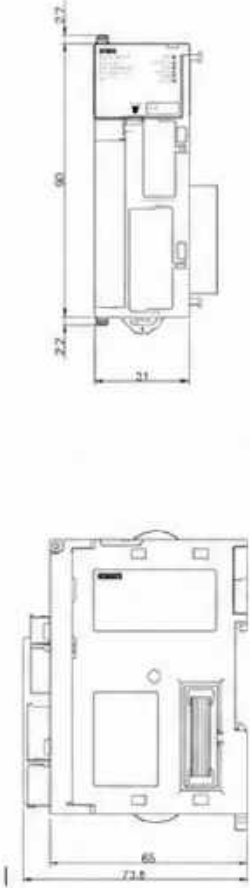
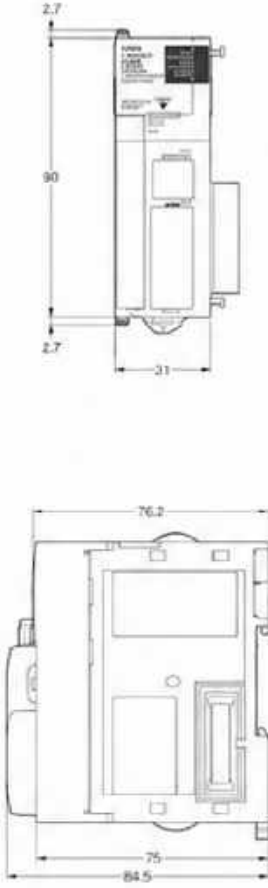
* : The change is a little/Almost compatible


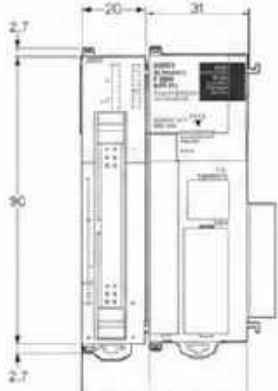
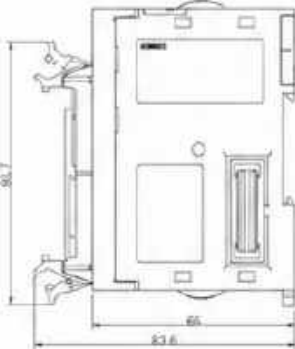
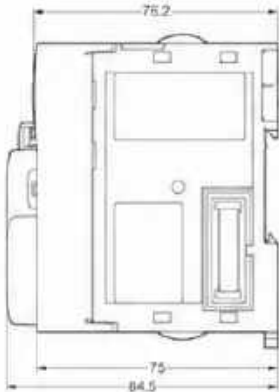
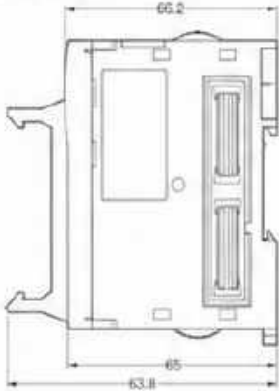
-- : Not compatible

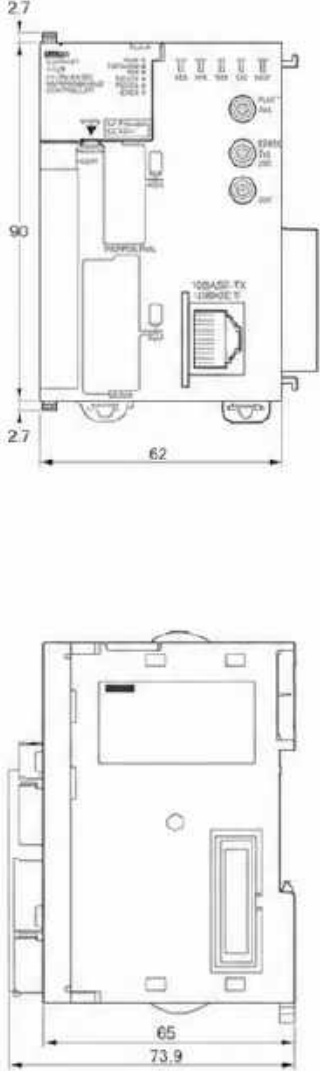
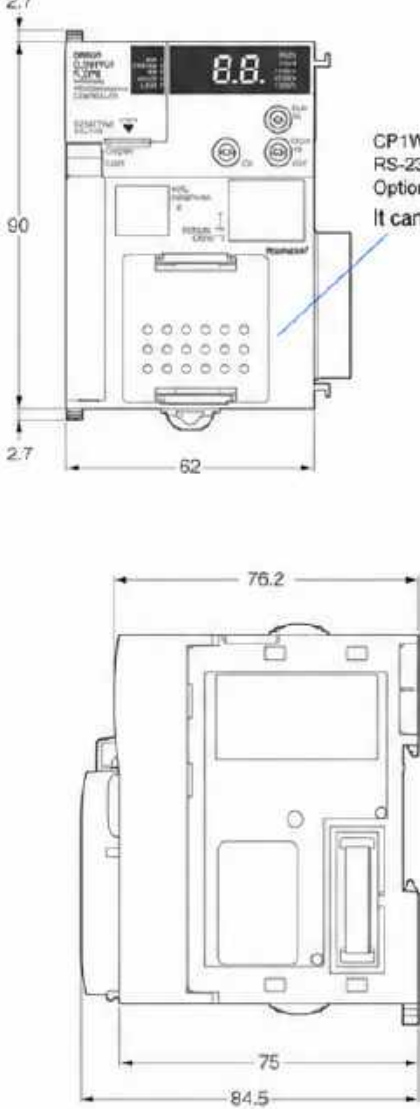
- : No corresponding specification

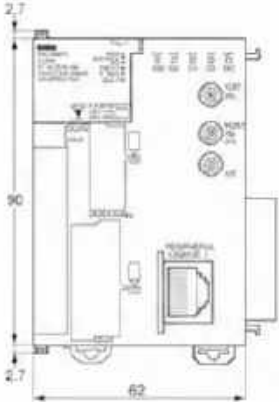

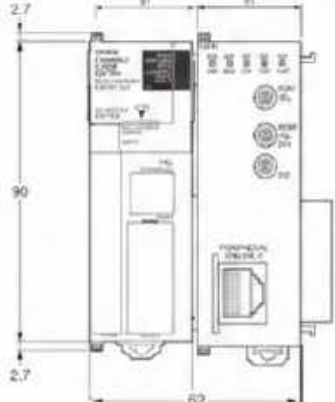
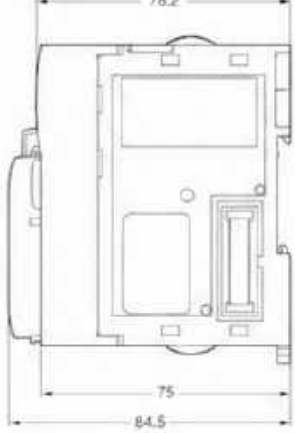
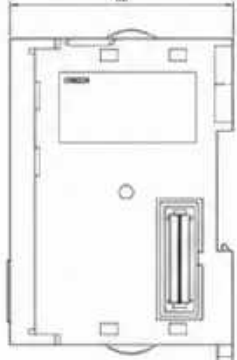
Product discontinuation	Recommended replacement
CJ1M-CPU11	CJ2M-CPU11
CJ1M-CPU12	CJ2M-CPU12
CJ1M-CPU13	CJ2M-CPU13
CJ1M-CPU21	CJ2M-CPU11 and CJ2M-MD211
CJ1M-CPU22	CJ2M-CPU12 and CJ2M-MD211
CJ1M-CPU23	CJ2M-CPU13 and CJ2M-MD211
CJ1M-CPU11-ETN	CJ2M-CPU31 and CP1W-CIF01 or When using "WEB function", the replacement model is below. CJ2M-CPU11 and CJ1W-ETN21
CJ1M-CPU12-ETN	CJ2M-CPU32 and CP1W-CIF01 or When using "WEB function", the replacement model is below. CJ2M-CPU12 and CJ1W-ETN21
CJ1M-CPU13-ETN	CJ2M-CPU33 and CP1W-CIF01 or When using "WEB function", the replacement model is below. CJ2M-CPU13 and CJ1W-ETN21

Dimensions

Product discontinuation Model CJ1M-CPU1□	Recommendable replacement Model CJ2M-CPU1□
<p>Model CJ1M-CPU1□</p>  <p>Technical drawings of Model CJ1M-CPU1□ showing front and top views. The front view shows a height of 90mm, with 27mm at the top and 22mm at the bottom. The width is 31mm. The top view shows a width of 65mm and a total width of 72.8mm.</p>	<p>Model CJ2M-CPU1□</p>  <p>Technical drawings of Model CJ2M-CPU1□ showing front and top views. The front view shows a height of 90mm, with 27mm at the top and 27mm at the bottom. The width is 31mm. The top view shows a width of 76.2mm and a total width of 84.5mm.</p>

Product discontinuation Model CJ1M-CPU2□	Recommendable replacement Model CJ2M-CPU1□, Model CJ2M-MD211
<p>Model CJ1M-CPU2□</p> 	<p>Model CJ2M-CPU1□, Model CJ2M-MD211</p> 
<p>Model CJ1M-CPU2□</p> 	<p>Model CJ2M-CPU1□,</p> 
	<p>Model CJ2M-MD211</p> 

Product discontinuation Model CJ1M-CPU1□-ETN	Recommendable replacement Model CJ2M-CPU3□
<p data-bbox="272 342 548 363">Model CJ1M-CPU1□-ETN</p>  <p>The front view shows a vertical rectangular unit with a height of 90mm and a width of 62mm. It features a terminal block at the top with labels for 'ASS', 'VRL', 'VSS', 'GND', 'CPU', and 'STOP'. Below the terminal block are three circular indicators labeled 'PLC RUN', 'CPU RUN', and 'STOP'. A '100BASE-TX' port is located on the right side. The back view shows a width of 65mm and a depth of 73.9mm.</p>	<p data-bbox="852 342 1079 363">Model CJ2M-CPU3□</p>  <p>The front view shows a vertical rectangular unit with a height of 90mm and a width of 62mm. It features a digital display showing '8.8.' and a terminal block at the top. Below the display are three circular indicators labeled 'PLC RUN', 'CPU RUN', and 'STOP'. A '100BASE-TX' port is located on the right side. An option board is shown installed in the unit, with a blue arrow pointing to it and the text 'CP1W-CIF01 RS-232C Option Board It can be'. The back view shows a width of 75mm and a depth of 84.5mm. A dimension of 76.2mm is also indicated for the back view.</p>

Product discontinuation Model CJ1M-CPU1□-ETN	Recommendable replacement Model CJ2M-CPU1□, Model CJ1W-ETN21
<p data-bbox="305 268 565 296">Model CJ1M-CPU1□-ETN</p>  <p data-bbox="310 758 565 785">Model CJ1M-CPU1□-ETN</p> 	<p data-bbox="846 268 1263 296">Model CJ2M-CPU1□, Model CJ1W-ETN21</p>  <p data-bbox="850 758 1052 785">Model CJ2M-CPU1□</p>  <p data-bbox="850 1255 1052 1283">Model CJ1W-ETN21</p> 

Specifications and prices in this product news are as of the issue date and are subject to change without notice. Only main changes in specifications are described in this document. Please be sure to read the relevant catalogs, datasheets, product specifications, instructions, and manuals for precautions and necessary information when using products.

Global Stock Supplier for Industrial Automation

KWOCO supplies new and original industrial automation products from leading brands such as Omron, Mitsubishi, Schneider, Weintek, and Pro-face. With ready stock, reliable quality, and global logistics, we support urgent sourcing for engineering projects, maintenance, and machine building.

Why Choose KWOCO



New & Original
Reliable quality



Ready Stock
Fast response



Global Logistics
Worldwide delivery



Multi-brand Supply
One-stop sourcing

Main Product Lines

PLC | HMI | Servo | Sensors | Cables

Serving purchasing managers, engineers, and industrial project teams worldwide.



B557, South Pearl Building, Sanlian Road,
Longhua District, Shenzhen Guangdong, P.R.China.



Tel: +86-755-81481609



E-mail: sales@kwoco-plc.com



Web: www.kwoco-plc.com