




PFXGE4401WAD

Functional Specification

Display Type	TFT Color LCD	
Display Size	7.0" Wide	
Resolution	800 x 480 pixels (WVGA)	
Effective Display Area	154.08 x 85.92 mm [6.066 x 3.382 in.]	
Display Colors	65,536 Colors	
Backlight	LED	
Brightness Control	8 levels available via touch panel	
Backlight Service Life	20,000 hours or more (continuous operation at 25°C [75°F] before backlight brightness decreased to 50%)* <u>1</u>	
Language Fonts	English* <u>2</u>	
Character Sizes	Standard font: 8 x 8, 8 x 16, 16 x 16 and 32 x 32 pixel fonts	
Font Sizes	Width can be expanded 1, 2, 4, and 8 times. Height can be expanded 1/2, 1, 2, 4, and 8 times.	
Text	8 x 8 dots	40 char. x 30 rows
	8 x 16 dots	40 char. x 15 rows
	16 x 16 dots	20 char. x 15 rows
	32 x 32 dots	10 char. x 7 rows
Application Memory	FLASH ROM 8 MB* <u>3</u>	
Data Backup	NVSRAM 128 KB	
Clock Accuracy	Variations in operating conditions and battery life can cause a clock inaccuracy from -380 to +90 seconds per month.	
Touch Panel Type	Resistive Film (analog)	
Touch Panel Service Life	1 million switch and 100 thousand slide operations	
Interface	Serial (COM1)	RS-232C Asynchronous Transmission, Data Length: 7 or 8 bit, Parity: None, Odd or Even, Stop Bit:1 or 2 bit, Data Transmission Speed:2,400 bps to115,200 bps D-Sub 9 pin (plug)
	Serial (COM2)	RS-422 / RS-485 Asynchronous Transmission, Data Length: 7 or 8 bit, Parity: None, Odd or Even, Stop Bit:1 or 2 bit, Data Transmission Speed:2,400 bps to187,500 bps D-Sub 9 pin (plug)
	USB (TYPE-A)	Conforms to USB2.0 (Type A) x 1, Maximum Transmission Distance: 5m (16.40 ft)
	USB (mini-B)	Used for application download

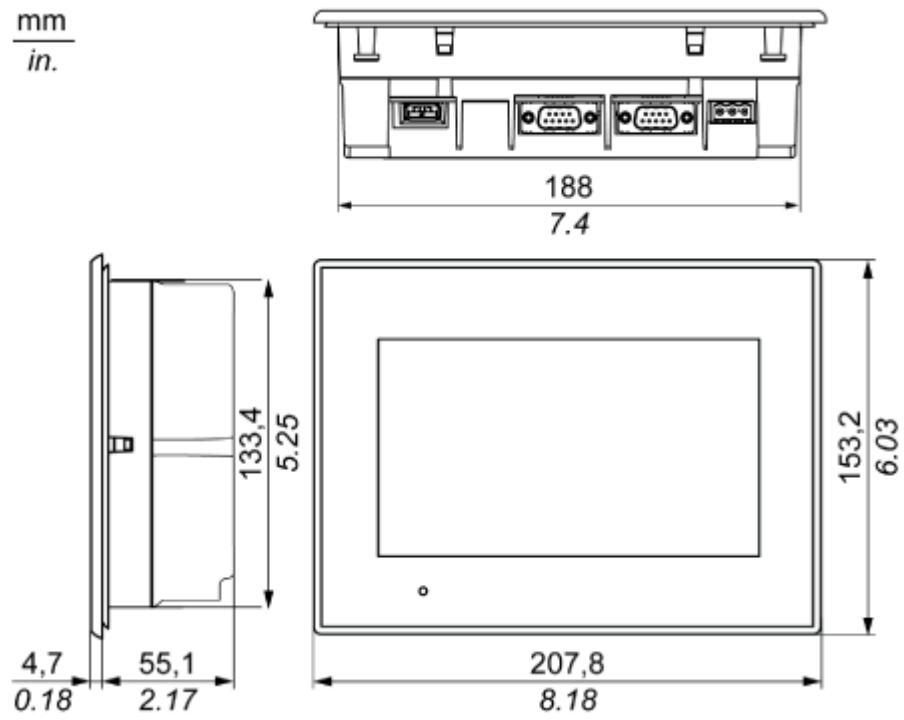
1. To save the life of the backlight, set the unit in standby mode which automatically turns the backlight off when no touch input is detected within a set time.
2. Please refer to the GP-Pro EX Reference Manual for details on font types and character codes.
3. Capacity available for user application. The capacity depends on how many fonts you load from the Editor software.

General Specification

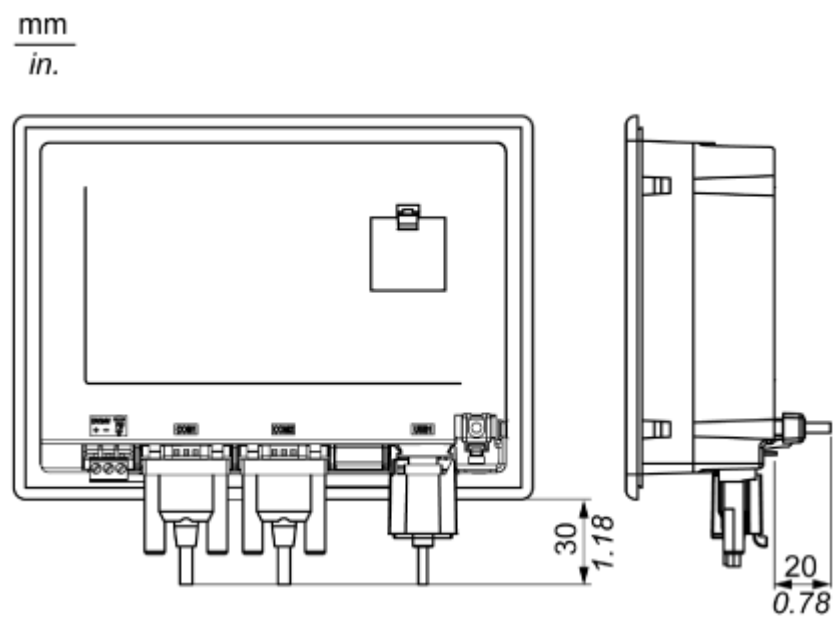
International Safety Standards	
Rated Input Voltage	DC 24 V
Allowable Voltage Drop	1 ms or less with lowest input voltage, 10 ms or less with rated input voltage
Power Consumption	8.2 W
In-Rush Current	50 A or less* 4
Voltage Endurance	AC600V 20mA for 1 min.
Insulation Resistance	10MΩ or higher at DC500V
Surrounding Air Temperature	0 to 50 °C [32 to 122 °F]
Storage Temperature	-20 to 60 °C [-4 to 140 °F]
Ambient Humidity	85 % RH (Wet bulb temperature: 39 °C [102.2 °F] or less - no condensation.)
Storage Humidity	85 % RH (Wet bulb temperature: 39 °C [102.2 °F] or less - no condensation.)
Dust	0.1 mg/m ³ (10 ⁻⁷ oz/ft ³) or less (non-conductive levels)
Pollution Degree	For use in Pollution Degree 2 environment
Atmosphere	Free of corrosive gases
Air Pressure (altitude range)	800 to 1,114 hPa (2,000 m above sea level or less)
Vibration Resistance	IEC/EN60068-2-6, 5 to 150 Hz, 3.5 mm (0.38 in) max., 1gn pm 3 axes
Concussion Resistance	IEC 60068 - 2 - 27, 1/2 sinusoidal pulse for 11 ms, 15g on 3 axes
Electrostatic Discharge Immunity	EN/IEC 61131-2 4 kV contact, 8 kV air
Electromagnetic Compatibility (EMC)	IEC 61000 - 4 - 5, 0.5 kV (Differential Mode on power supply), 1 kV (Common Mode on power supply)
Grounding	Observe local codes and standards. The ground connection must have a resistance 0.1Ω or less and the ground wire must have a cross section of at least 2 mm ² (AWG 14).
Structure	Front Panel: IP 65 (IEC60529), Enclosure type 4 indoor use only (UI50) with screw installation fasteners, Rear Panel: IP 20 (IEC 60529)
Cooling Method	Natural air circulation
External Dimensions	207.8 mm [8.18 in] x 153.2 mm [6.03 in] x 59.8 mm [2.36 in]

4. For in-rush current, the FWHM (full-width, half maximum) value is approximately 50 μs (when exceeding 25 A).

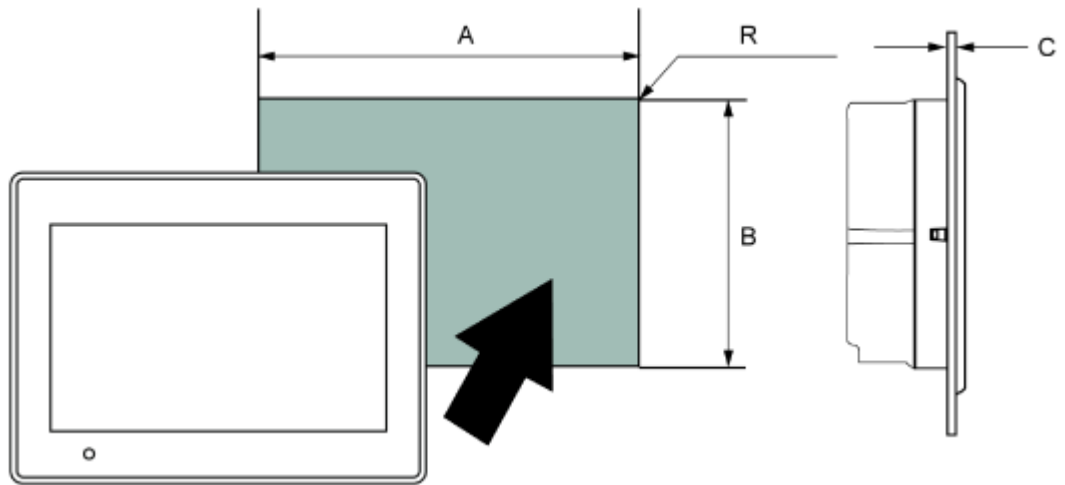
External Dimensions



External Dimensions with Cables



Panel Cut-out



A	B	C (Panel Thickness)	R
190 ^{±1} mm (7.48 ^{±0.04} in)	135 ^{±0.7} mm (5.31 ^{±0.03} in)	1.5 to 10 mm (0.06 to 0.39 in)	3 mm (0.12 in) max.