

Product datasheet

Specifications



7 inch wide screen, Basic model, 1 serial port, embedded RTC

HMIGXU3500

Main

Range of product	Harmony Easy GXU
Product or component type	Advanced touchscreen panel
Display type	LCD touch screen
Display colour	65536 colours
Display resolution	800 x 480 pixels WVGA
Display size	7 inch

Complementary

Backlight lifespan	20000 hours
[Us] rated supply voltage	24 V DC
Software designation	Vijeo Designer Basic configuration software
Memory description	Internal, 32 MB for application Internal DDR, 128 MB Internal, 128 kB for backup
Integrated connection type	COM1 serial link: 9-way male SUB-D connector, RS422/RS485 USB type mini B
Cut-out dimensions	190 x 135 mm

Environment

Quality labels	CE
Ambient air temperature for operation	0...50 °C
Ambient air temperature for storage	-20...60 °C
IP degree of protection	IP65 (front panel)

Packing Units

Unit Type of Package 1	PCE
Number of Units in Package 1	1
Package 1 Height	9.166 cm
Package 1 Width	18.001 cm
Package 1 Length	25.741 cm

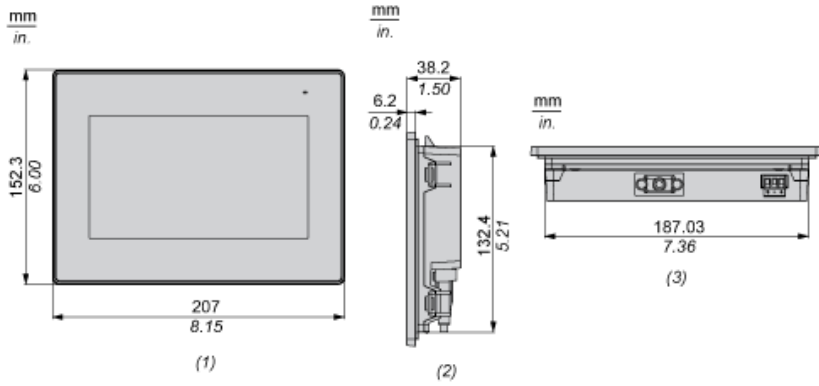
Package 1 Weight	881 g
Unit Type of Package 2	S04
Number of Units in Package 2	12
Package 2 Height	30 cm
Package 2 Width	40 cm
Package 2 Length	60 cm
Package 2 Weight	11585.5 g
Unit Type of Package 3	P12
Number of Units in Package 3	144
Package 3 Height	95 cm
Package 3 Width	80 cm
Package 3 Length	120 cm
Package 3 Weight	148026 g

Offer Sustainability

REACH Regulation	REACH Declaration
EU RoHS Directive	Pro-active compliance (Product out of EU RoHS legal scope) EU RoHS Declaration
Mercury free	Yes
China RoHS Regulation	China RoHS declaration
RoHS exemption information	Yes
Upgradeability	Upgradeable through digital modules

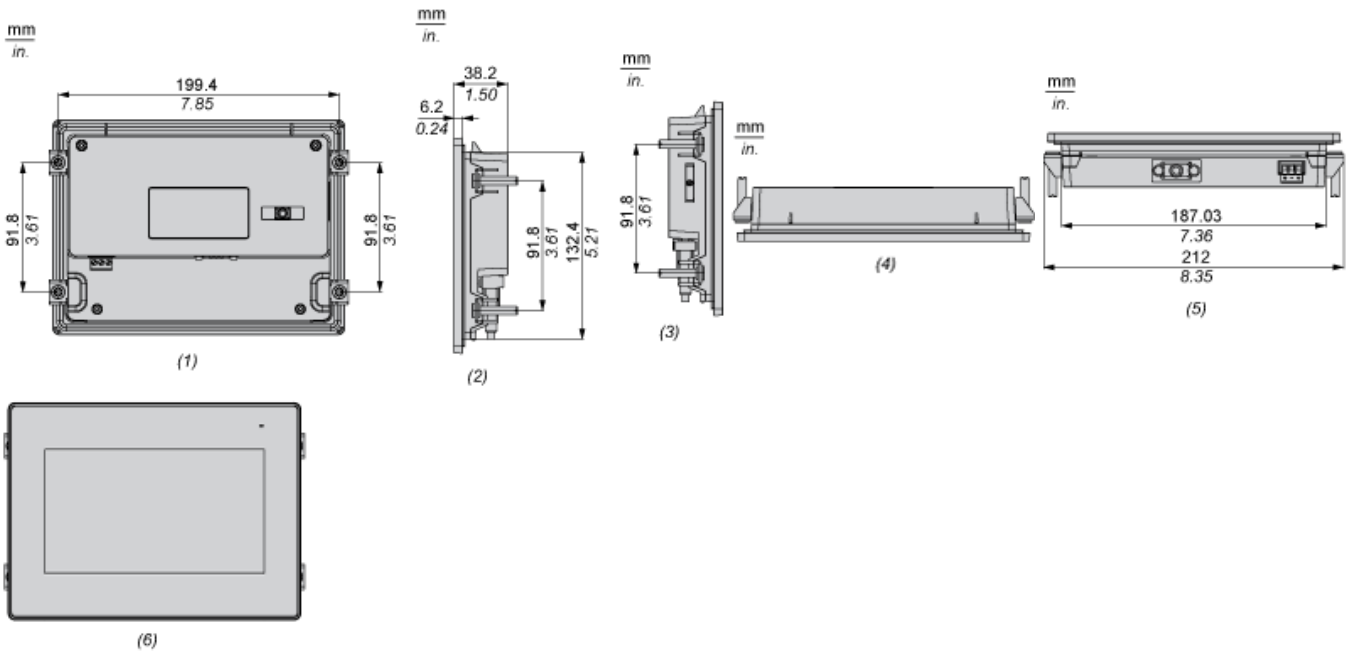
Dimensions

External Dimensions



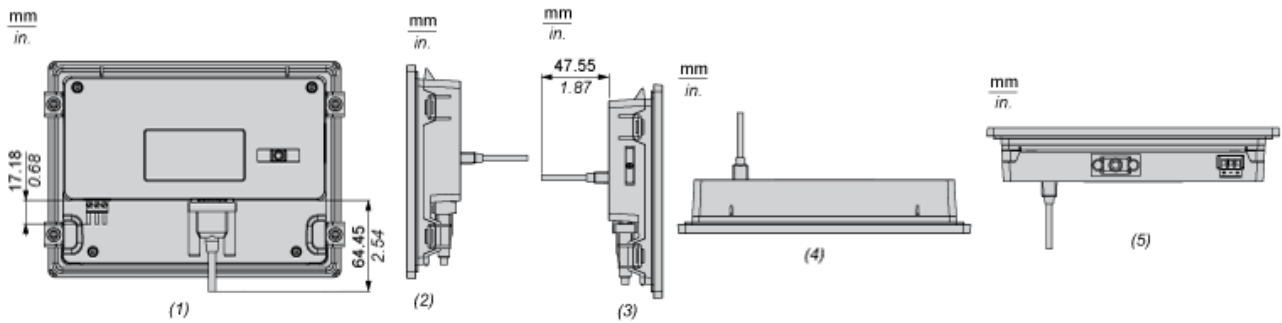
- (1) Front
- (2) Right
- (3) Bottom

Installation with Installation Fasteners



- (1) Rear
- (2) Right
- (3) Left
- (4) Top
- (5) Bottom
- (6) Front

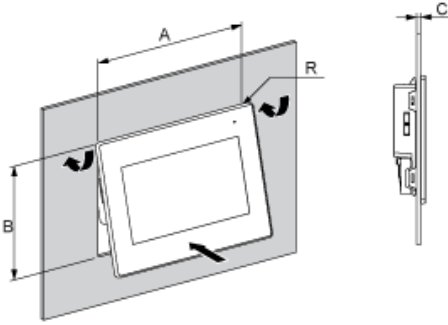
Dimensions with Cables



- (1) Rear
- (2) Right
- (3) Left
- (4) Top
- (5) Bottom

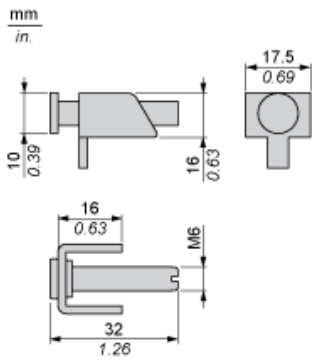
Mounting

Panel Cut Dimensions



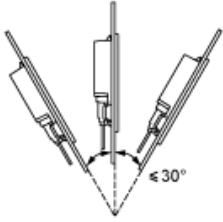
A		B		C		R	
mm	in.	mm	in.	mm	in.	mm	in.
190 ^{±1}	7.48 ^{±0.04}	135 ^{±0.7}	5.31 ^{±0.03}	1...5	0.04...0.19	3 max	0.12 max.

Installation Fasteners Dimensions



Installation Requirements

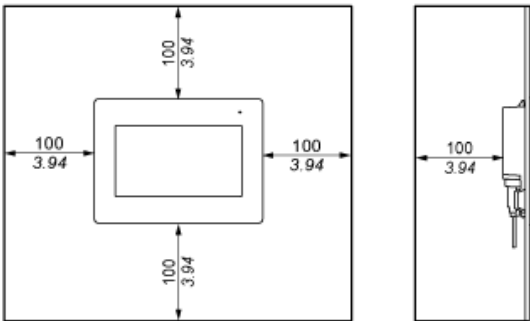
Mounting Angle



When installing the panel in a slanted position, and the panel face inclines more than 30°, the ambient temperature must not exceed 40 °C (104 °F).

Clearance

mm
in.



Recommended replacement(s)